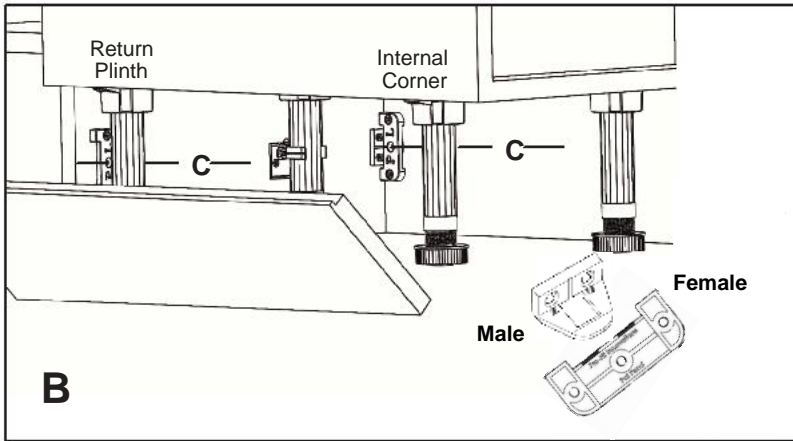
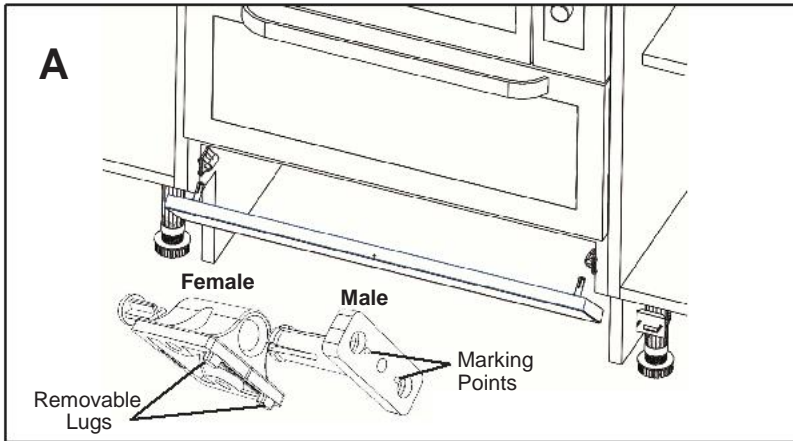


ProLock Compact - FillerLock

The multi-use concealed locking system



Contents: 4 x Pro Lock 4 x Pro lock Compact, 4 x Filler Locks (screws included)

Fitters Essential Pack

Pro-Fit
Innovations

© Pro-Fit Innovations Ltd Patent Pending.

ProLock Compact - FillerLock

Pro Lock Compact & Filler Lock is a quick and easy multi-use concealed fixing system that can be used on a wide range of applications. Both ProLock Compact & FillerLock can be either removable or permanently fixed with the optional locking pin.

ProLock Compact allows for adjustments to be made after the panel as been fitted.

Now incorporating a NEW feature of a ratchet system ProLock Compact can be incrementally adjusted after fitting for more accuracy.

ProLock Compact & FillerLock can be used for many projects - these unique fixings suits all applications. This means less down time for fitters.

FillerLock Quick Setup Guide A

- For removable panels. Insert the Male into the Female.
- Fix FillerLock central to the panel location. (The projection lugs can be removed if you require the panel to be flush with the carcass.)
- Cut panel to size if required (Important) Mark rear of the panel to show top edge (i.e. T for top edge).
- Equally space the new panel using masking tape if required to hold the panel temporary.
- Add Pressure to the panel to cause the setup spikes to mark the back of the panel.
- Remove panel then remove the Male part of the FillerLock from the Female part.
- Slide Male part over the panel until the setup spikes find the hole positions. (If required tap again to drive the spikes deeper into the back of the panel.)
- Pilot and add screws provided. (Recommend self centre drill bit but not necessary.)
- With the top edge at the top align the male fixings with the female fixings and push back to lock panel into position. (Equally pull and the panel will easily remove.)

ProLock Compact Quick Setup Guide B

- Using the centre datum lines on both Male and Female components these cans make very simple concealed fixing.
- For use on Plinth joints. Simply trim end panels first then mark the leg position and the underside of the unit on the end panel. Use the marks to position the female component central to the height of the plinth and fix with screws (provided).
- Trim plinth to length then using the datum on the fixed end panel measure the height and transfer this height to the plinth.
- Fix Male component flush with the plinth end using datum centre line.
- Add Plinth Clips and push into place.
- Repeat the process on internal corners and also can be used on return plinths.

For further information visit
www.pro-fitinnovations.co.uk

Pro-Fit
Innovations