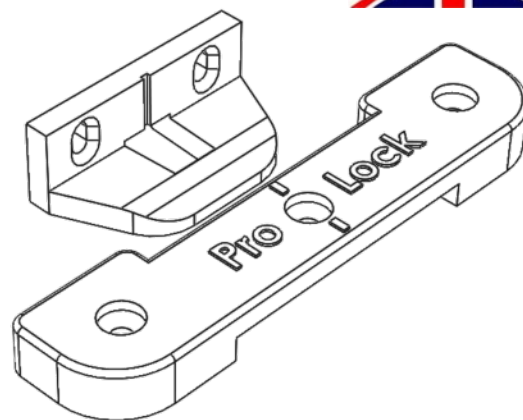
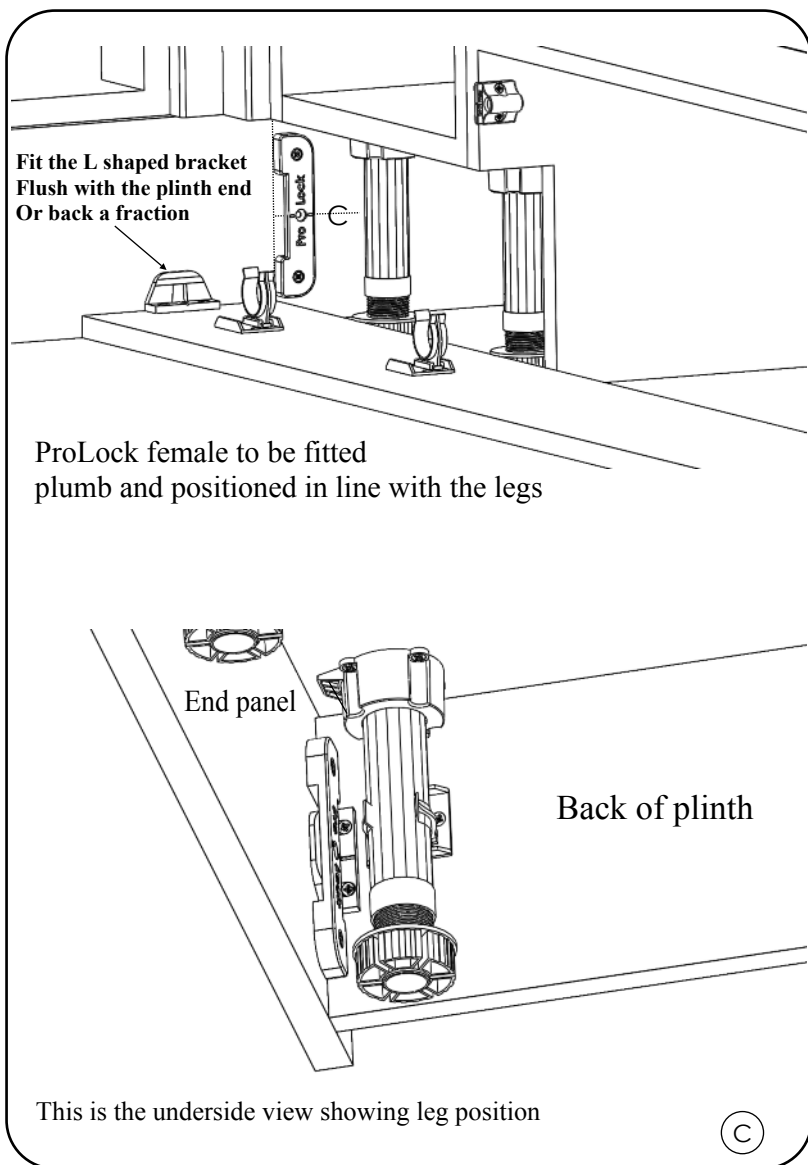


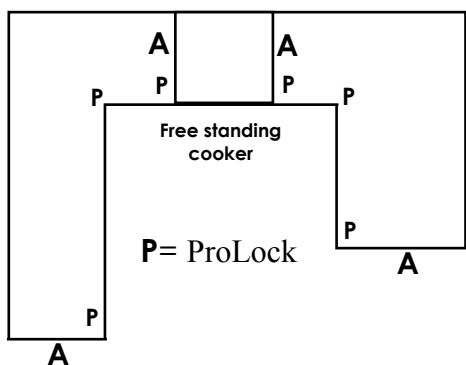
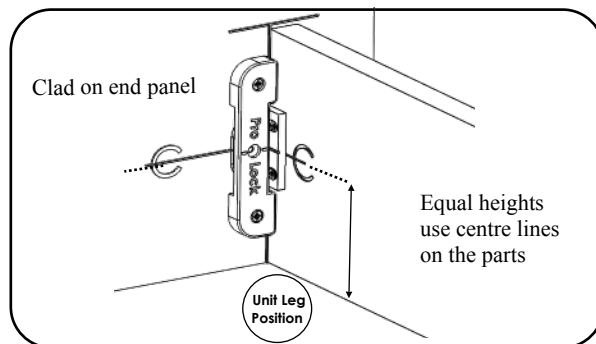
Instructions



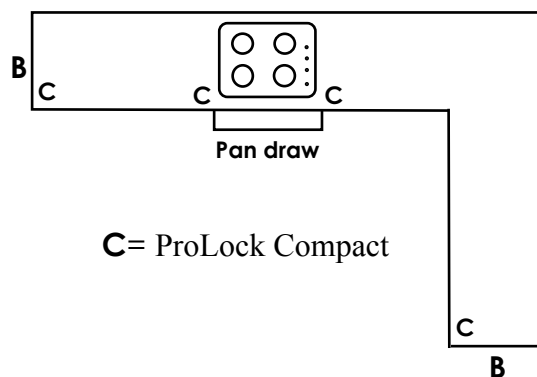
How to fit

1. Fit female ProLock to end panels before final installation if possible making the front edge inline with the leg position and central in height.
2. Scribe plinth to correct height and cut to the correct length.
3. Fix the L shaped male component flush with the end of the plinth using the datum centre line as a quick setup reference. At this point add any other plinth clips supplied with the kitchen.
4. Now fit the plinth you will see that the joint will engage and can be removed again.

Tip for plinth removal a small Alan Key can be inserted at the top of the plinth to help disengage the ProLock System this is just a friction fit.



A = Full height end panels



B = Return plinths and pan draws