

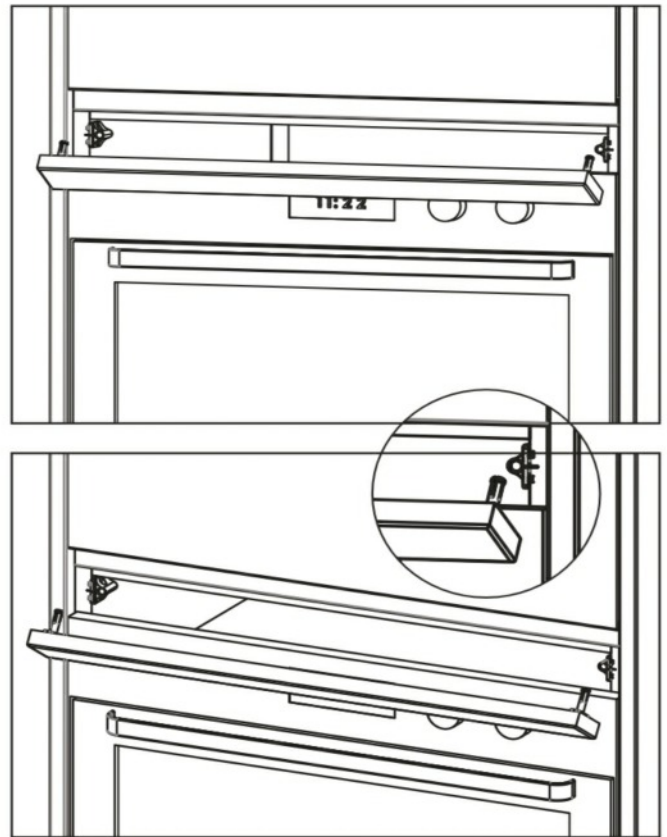
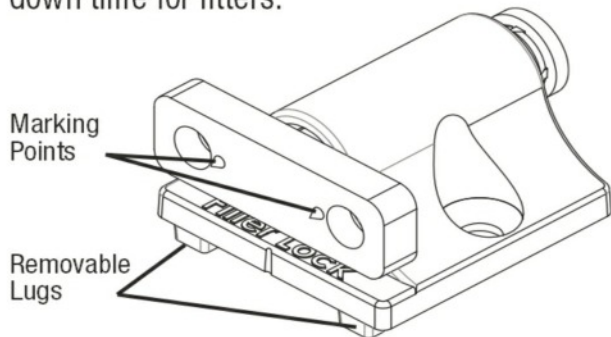
# Pro-fit FillerLock

## The Multi Use Concealed Locking System

Filler Lock is a quick and easy multi use concealed fixing system that can be used on a wide range of applications.

Filler Lock can be either Removable or Permanently fixed with the optional locking pin.

Filler Lock can be used for many projects - this unique fixing suits all applications, meaning less down time for fitters.



## Quick Setup Guide

- For removable panels. Insert the male into the female.
- Check screws are suitable for material thickness
- Fix Filler Lock central to the panel location. (The projection lugs can be removed if you require the panel to be flush with the carcass.)
- Cut panel to size if required (Important). Mark rear of the panel to show top edge (i.e. T for top edge).
- Equally space the new panel using masking tape if required to hold the panel temporary.
- Add Pressure to the panel to cause the setup spikes to mark the back of the panel.
- Remove panel then remove the male part of the Filler Lock from the female part.
- Slide male part over the panel until the setup spikes find the hole positions. (If required tap again to drive the spikes deeper into the back of the panel.)
- Pilot and add screws provided. (Recommend self centre drill bit but not necessary.)
- With the top edge at the top align the male fixings with the female fixings and push back to lock panel into position. (Equally pull and the panel will easily remove.)



**Pro-Fit  
Innovations**



Pro-Fit Innovations Ltd. 63 Station Road, Oakworth, West Yorks BD22 0DZ.  
Telephone +44 (0)1535 647403 Visit [www.pro-fitinnovations.co.uk](http://www.pro-fitinnovations.co.uk)

**FillerLock Pack of 6**