

# PanelLock®

## The Multi Use Patented Connection System



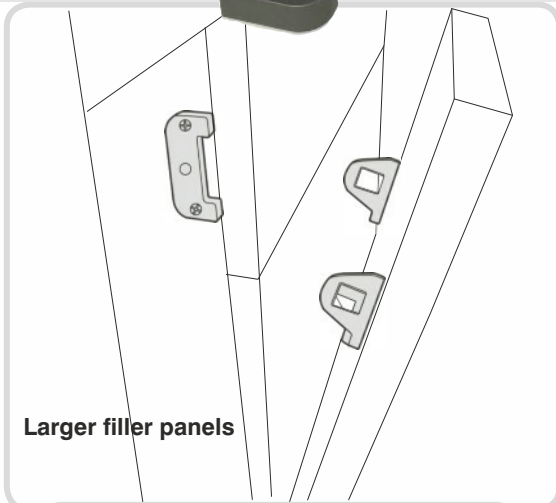
Panel Lock is a quick and easy multi use concealed fixing system that can be used on a wide range of applications.

It can be either removable or permanently fixed with the optional locking pin. And now incorporating a NEW feature of a ratchet system Panel Lock can be incrementally adjusted after fitting for more accuracy.

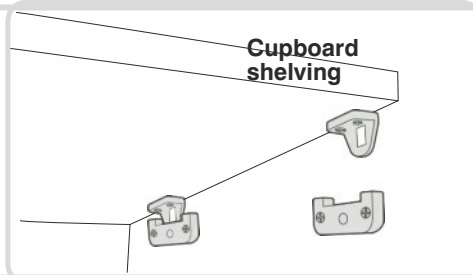
Manufactured in glass filled nylon this fixing system is extremely resilient and can withstand heavy loads.

***There are literally hundreds of uses with Panel Lock***

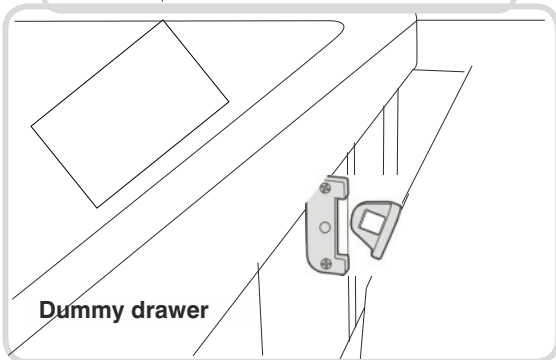
- Dummy drawers .
- Frontals
- Corner Posts
- Access Panels
- Shelves
- Pipe boxing
- Filler and back panels
- Corner posts
- Return Plinths
- Bridging details
- Bath Panels
- Fitted Bedroom Furniture
- Panels For under oven housings
- Tall oven housing
- Bridging Panels for fridge freezers
- Access Panels
- All materials for bath panels



Larger filler panels



Cupboard shelving



Dummy drawer

© Profit Innovations Patented

**Pro-Fit**  
Innovations

**Profit Innovations Ltd**  
Oakvale 63 Station Road Oakworth Keighley  
West Yorkshire UK BD22 0DZ  
Tel +44 (0)1535 647403  
[www.profitinnovations.co.uk](http://www.profitinnovations.co.uk) [sales@profitinnovations.co.uk](mailto:sales@profitinnovations.co.uk)



5 065017 081027